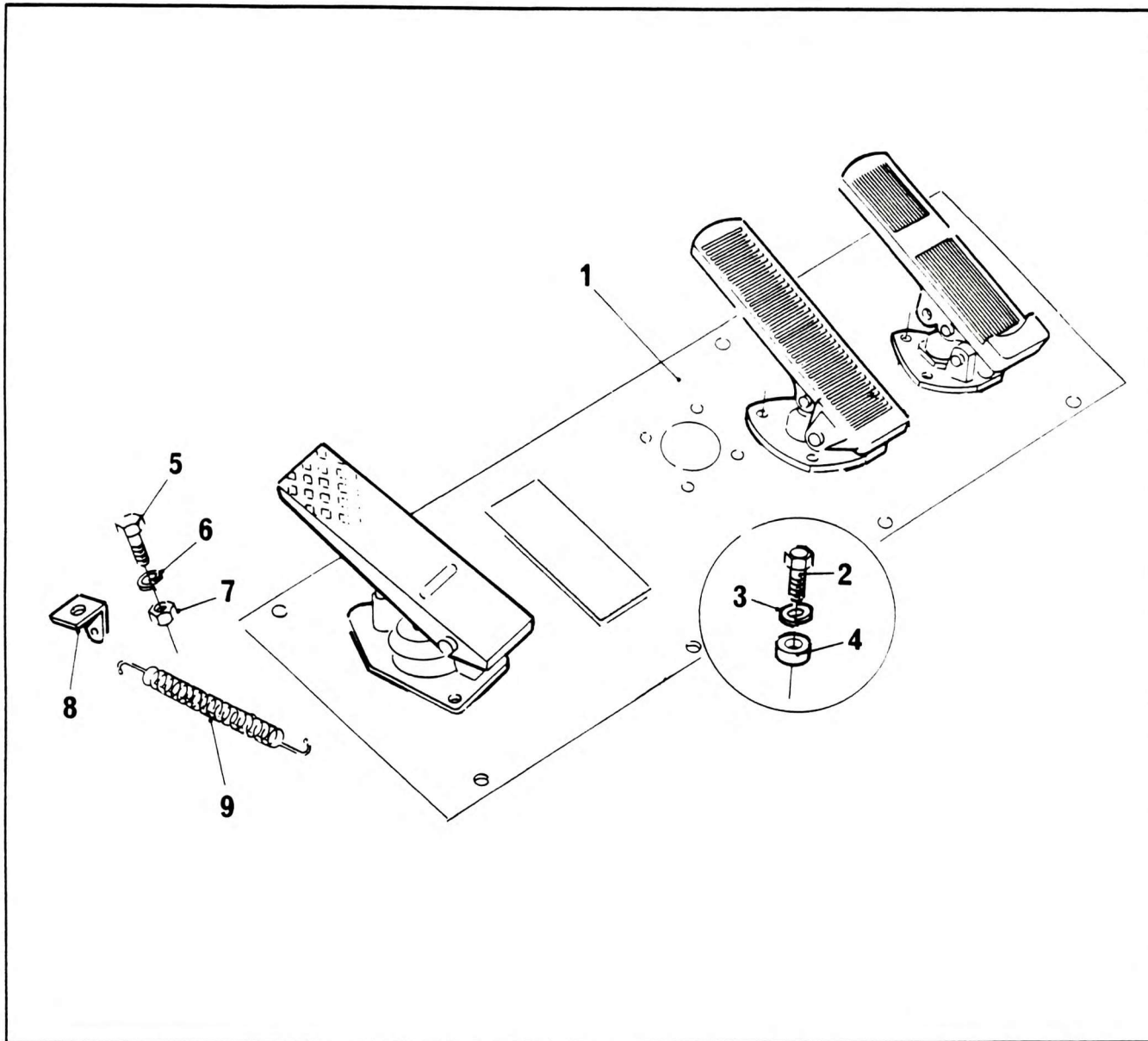


FOOT PEDAL INSTALL (WITHOUT AUX. HOIST)



NO.	PART NO.	QTY.	DESCRIPTION	NO.	PART NO.	QTY.	DESCRIPTION
1 +	6-683-990041	1	Foot Pedal Sub Assy				
2	7045202	8	Screw M8 x 25 Long				
3	7067215	8	Washer Spring M8				
4	6-910-990984	8	Washer Floor Mat				
5	7045004	1	Screw Hex Head M5 x 20 Long				
6	7067217	1	Washer Spring M5				
7	7-661-130003	1	M5 Nut				
8	6-705-996569	1	Plate Spring Mounting				
9	8576191	1	Spring Extension				

+ See further breakdown in this group

6-683-990037
Issue No. 02